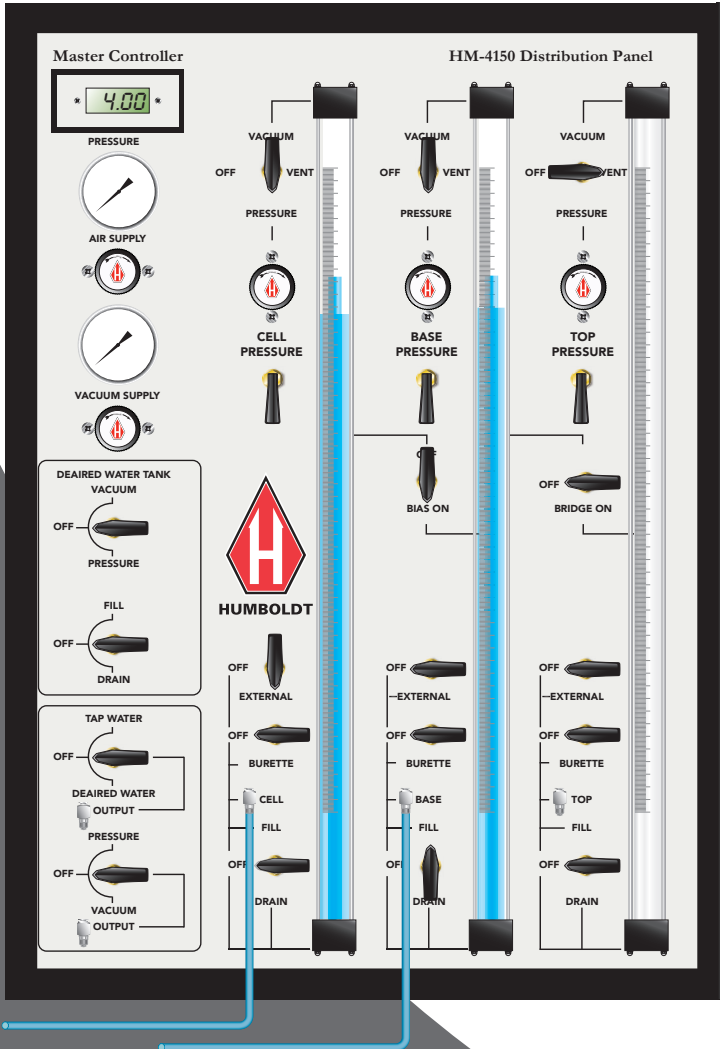
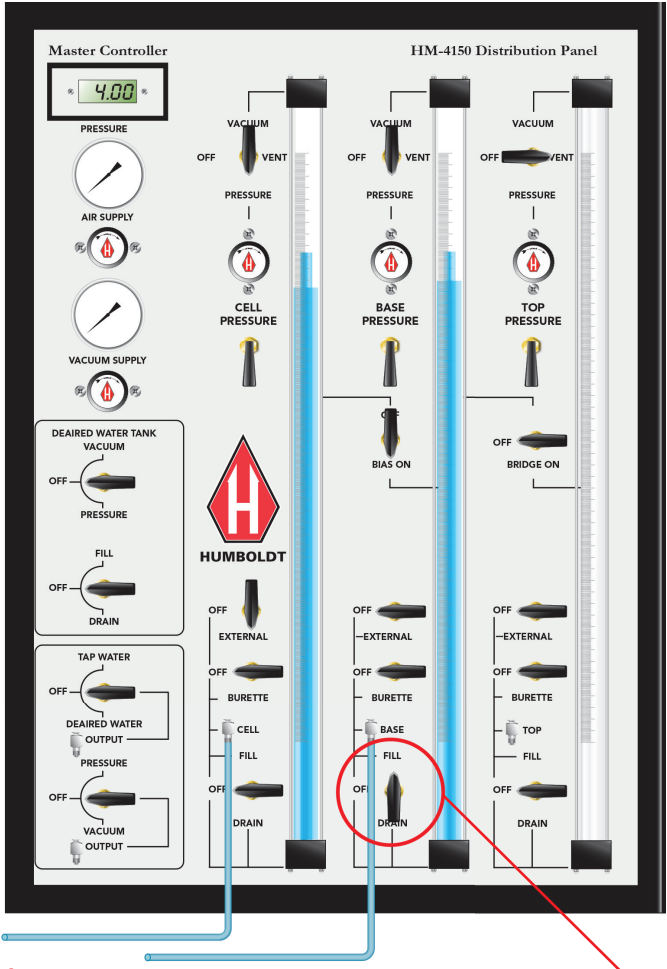


Saturating (De-airing) Drainage Lines

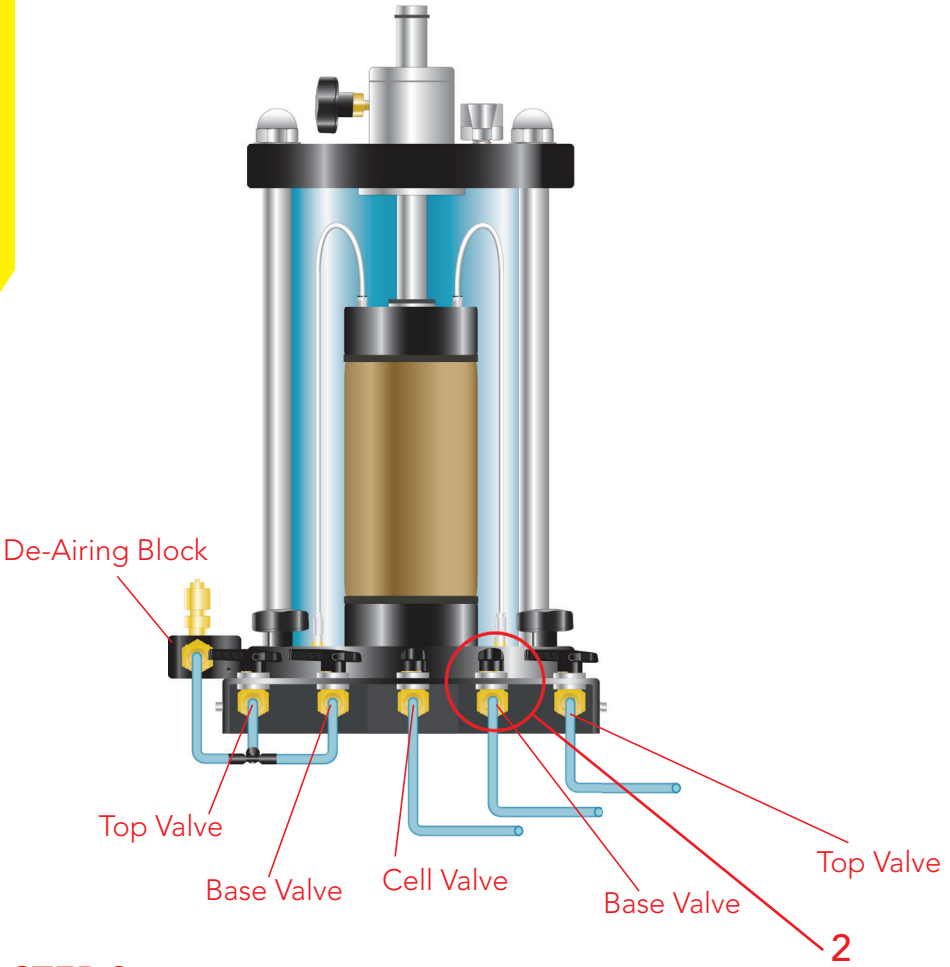




STEP 1

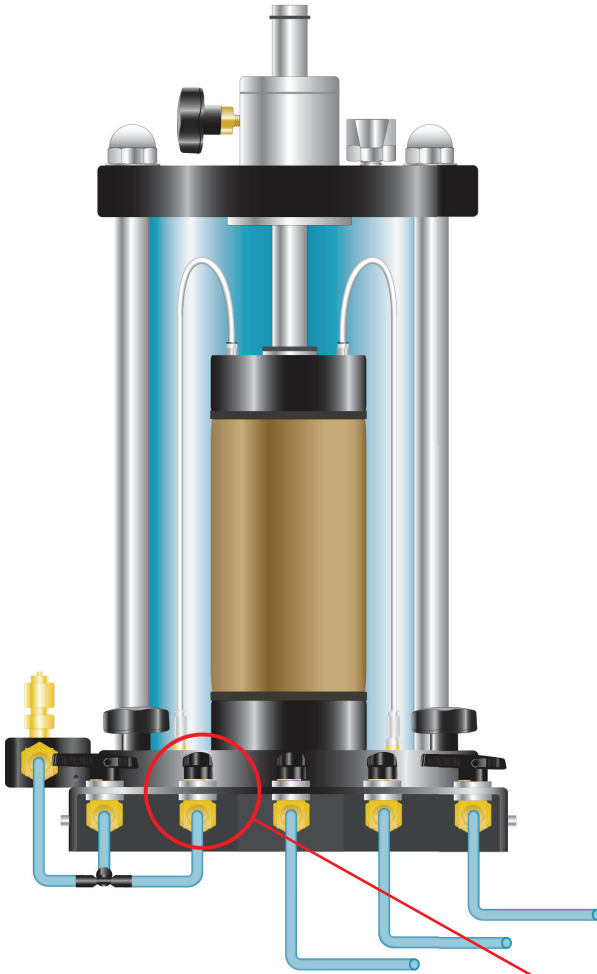
Turn Base Burette Assembly Fill/Drain Valve to Fill.

1



STEP 2

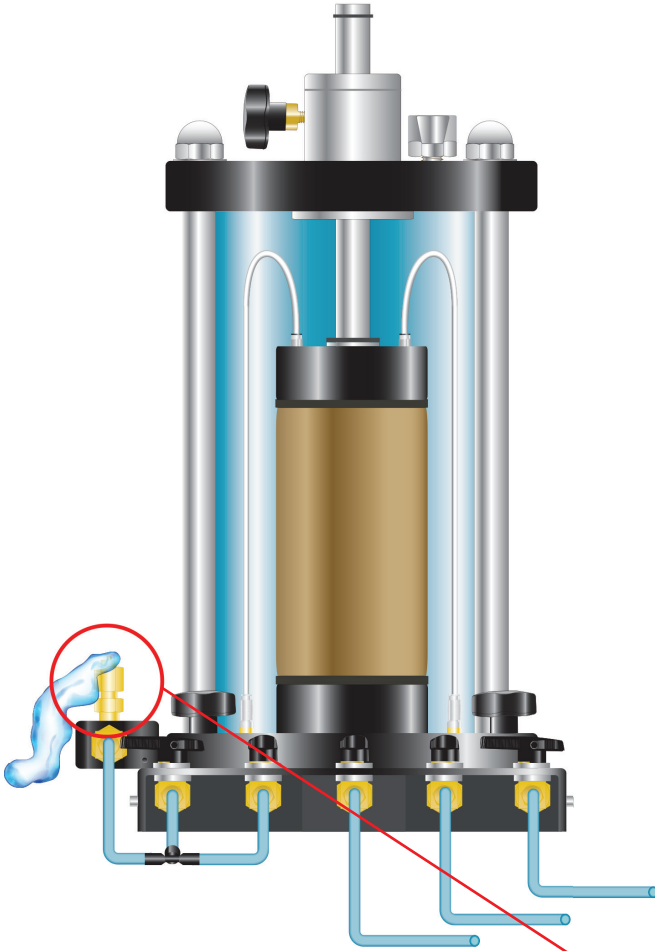
Open Base Valve located on the right-hand side of the Triaxial Cell.



STEP 3

Open Base Valve located on the left-hand side of the Triaxial Cell.

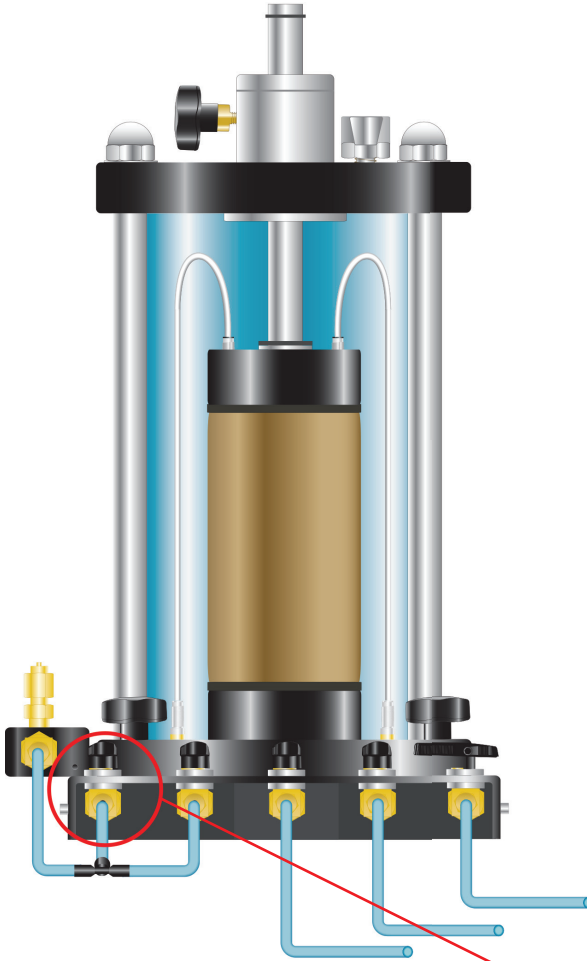
3



STEP 4

Open the Vent on the top of the De-airing Valve.
Once water begins to flow out, close the Vent.

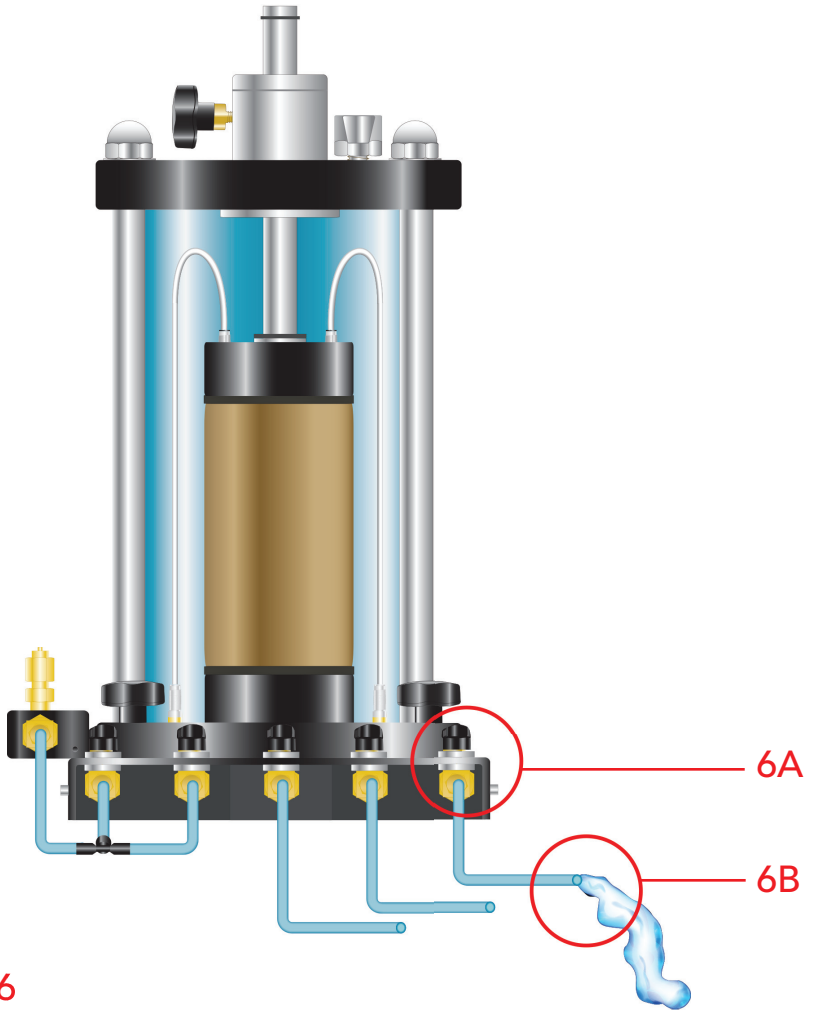
4



STEP 5

Open the Top Valve, located on the left-hand side of the Triaxial Cell.

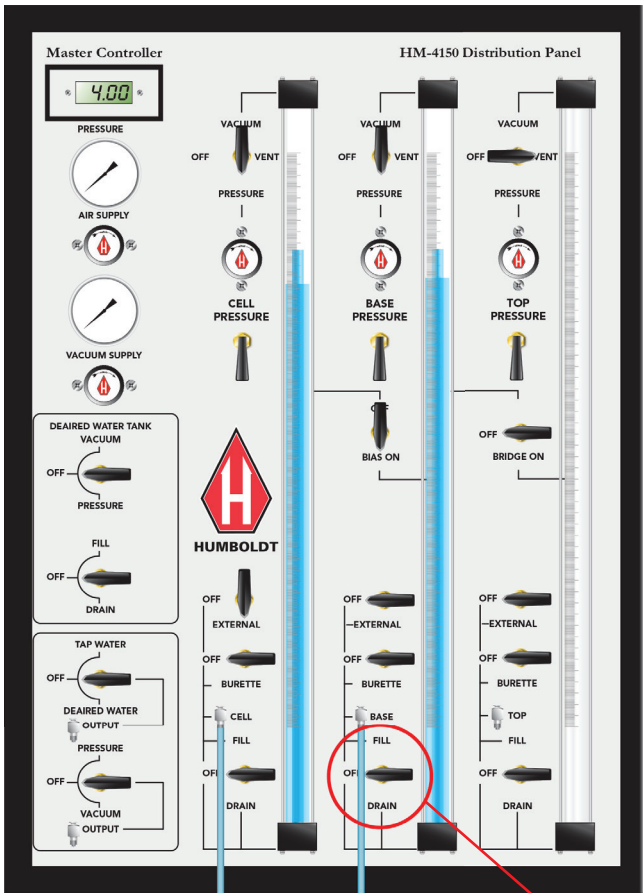
5



STEP 6

A. Open the Top Valve, located on the right-hand side of the Triaxial Cell.

B. To catch the water flowing out of the Valve, provide a container or direct the tubing to a drain.

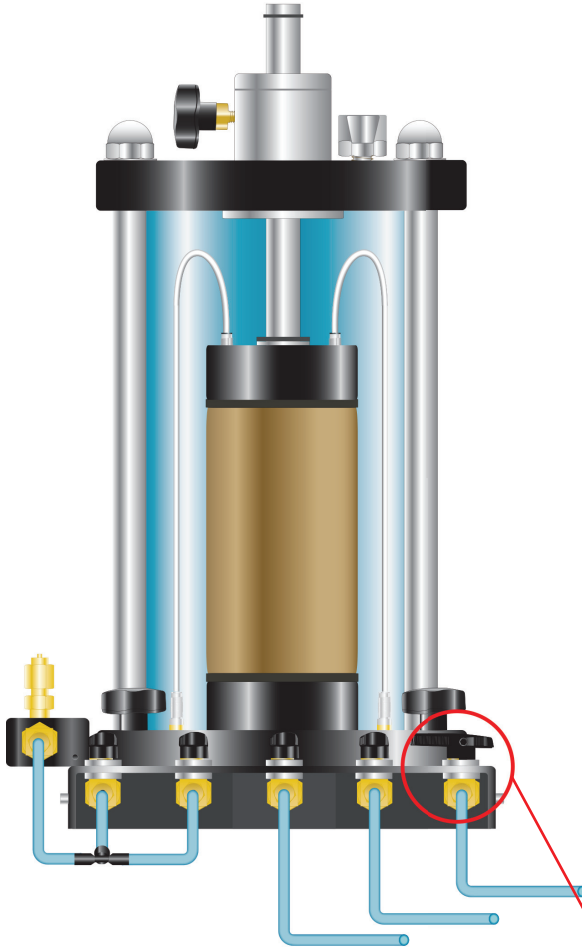


STEP 7

When air bubbles are no longer evident in the drainage line coming from the Cell.

7

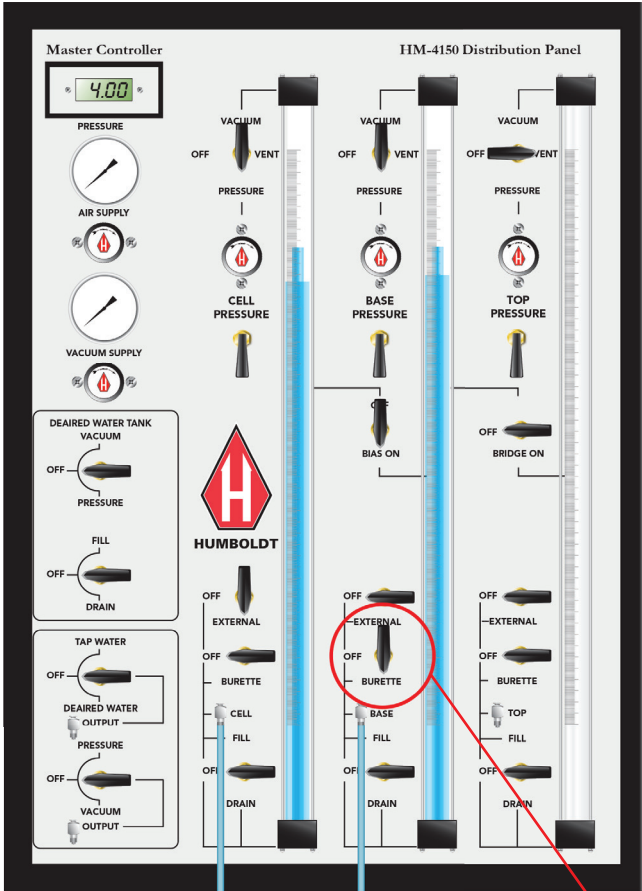
Turn Base Burette Assembly Fill/Drain Valve to Off.



STEP 8

Then, close the Top Valve, located on the right-hand side of the Triaxial Cell.

8



STEP 9

Now, open the Burette Valve.

9

COPYRIGHT NOTICE

©2018 HUMBOLDT Mfg. Co. All Rights Reserved. This manual or parts thereof may not be reproduced in any form without the expressed written permission of HUMBOLDT Mfg. Co.

UNPUBLISHED LICENSED PROPRIETARY WORK

©2016 HUMBOLDT Mfg. Co.

Humboldt Mfg. Co.
875 Tollgate Road
Elgin, Illinois 60123 U.S.A.

U.S.A. Toll Free: 1.800.544.7220
Voice: 1.708.456.6300
Fax: 1.708.456.0137
Email: hmc@humboldtmfg.com

