



H-1756A & H-1756.5F



Vibrating
Table

Introduction

This item is generally used with other Rice Test apparatus specifically to keep sample material loose for more reliable test results. It accepts the 2 kg capacity canister H-1750, and operates with a variable speed control up to 2400 VPMs for 230V/50Hz, 3,000 VPMs for 115V/60Hz.

General Information

Inspection:

Your Rice Vibrating Table was thoroughly inspected before it was shipped and should be ready to operate as soon as you have completed the set-up procedure. Notify Humboldt Mfg. Co. or your local agent and file a claim with any carriers involved if you find any damage to the machine.

Physical Specification:

Shipping weight: 12 lbs (5.4 kg)

Overall height: 15 ½"

Base dimension: 11" Diameter

Power supply:

H-1756.5F 230 V/50Hz

H-1756A 115 V/60Hz

Check that your machine has the correct voltage for your local supply.

Initial Installation

Set the machine base up at the place it is to be used in the laboratory and then decide if you plan to operate the machine resting on the three rubber feet as supplied or permanently connected through the extra mounting holes in the base. The mounting holes are 3/16" diameter on a 10 1/8" diameter bolt circle.

Put your H-1750 Pycnometer with cover into place on the H-1756.5F or H-1756A by sliding it through the top ring slot and into position under the top ring. If not already engaged press down on the ring to compress the springs and hook the screw heads from the latches into the keepers on the ring. Now try latching the ring down. If you can't get the latches down, or if they go down and are too loose to hold the ring down, you can make a final adjustment by turning the latch screw(s) and re-tightening their nuts. The proper setting is when the keepers are deflected downward slightly when latched. This pressure on the keepers should hold the pycnometer in place when there is a vacuum drawn on it.

Operation

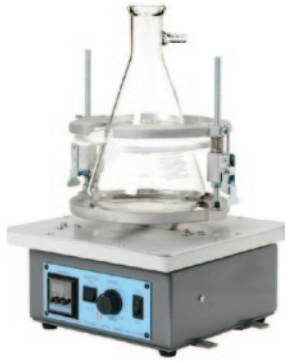
The vibratory action is started by operating the on-off switch located on the front of the base. Start the machine by raising the bat handle on the toggle switch to the "ON" position.

Maintenance

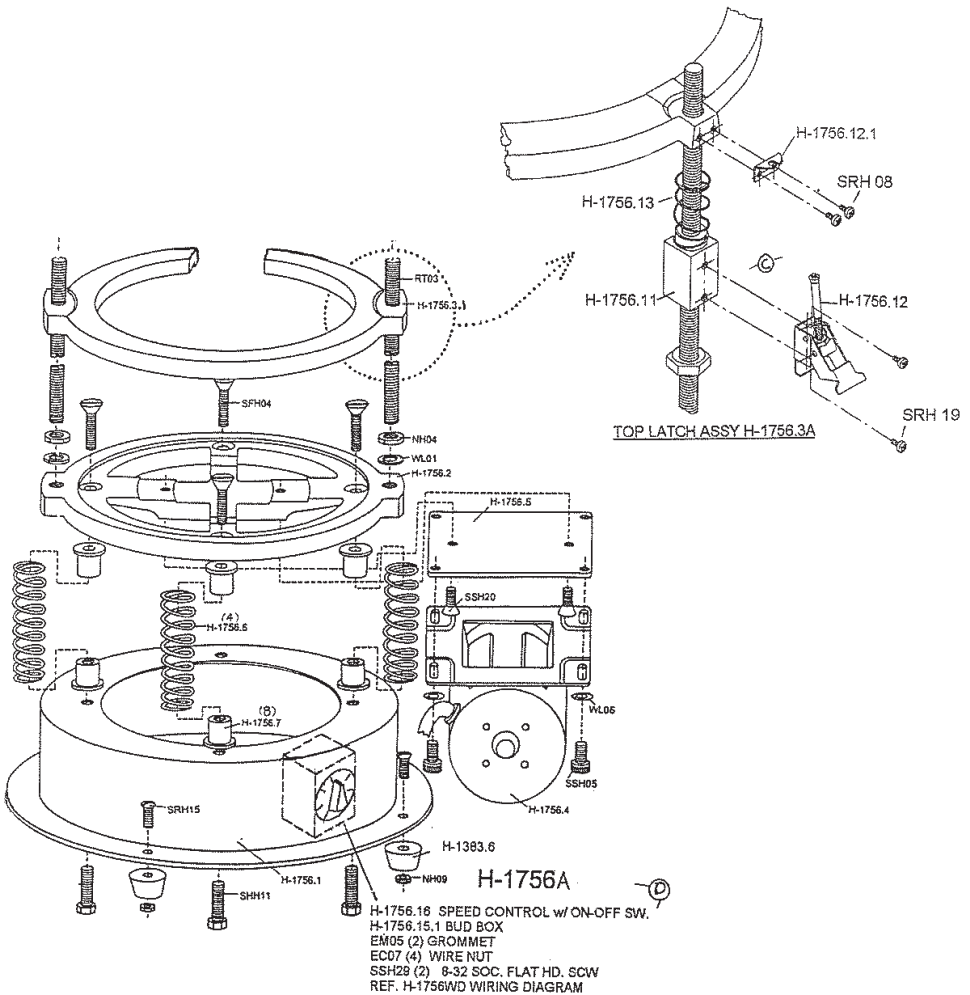
The machine can generally be maintained by keeping it clean, correcting any looseness that may occur and protecting the electrical cord.

Flask Attachment

For those who want to use the H-1756A with erlenmeyer flasks, use the H-1753 flask attachment. It is easily mounted and adjustable to fit various sizes of flasks.



**H-1753 shown in use with
H-1782 , (Flask is not included).**



H-1756.5F

Warranty

Humboldt Mfg. Co. warrants its products to be free from defects in material or workmanship. The exclusive remedy for this warranty is Humboldt Mfg. Co., factory replacement of any part or parts of such product, for the warranty of this product please refer to Humboldt Mfg. Co. catalog on Terms and Conditions of Sale. The purchaser is responsible for the transportation charges. Humboldt Mfg. Co. shall not be responsible under this warranty if the goods have been improperly maintained, installed, operated or the goods have been altered or modified so as to adversely affect the operation, use performance or durability or so as to change their intended use. The Humboldt Mfg. Co. liability under the warranty contained in this clause is limited to the repair or replacement of defective goods and making good, defective workmanship.

Humboldt Mfg. Co.

3801 North 25th Avenue
Schiller Park, Illinois 60176 U.S.A.

U.S.A. Toll Free: 1.800.544.7220

Voice: 1.708.456.6300

Fax: 1.708.456.0137

Email: hmc@humboldtmfg.com

Testing Equipment for



Construction Materials

HUMBOLDT

www.humboldtmfg.com