



**Heavy-Duty, Automatic Single Compactor with Rotating Mold**

The Humboldt Automatic Marshall Compaction Machine is designed to provide a stable and rigid mechanism for producing 4" or 6" diameter asphalt pills used in Marshall tests. The heavy-duty design stands up well to the constant jarring caused by the compaction process. The Humboldt Compaction Machine features a rotating mold mechanism and a hammer with a beveled foot, which together produce a kneading action when producing test pills. The machine's automatic counter allows the operator to preset the number of blows wanted and will turn off the machine when completed. After the number of blows has been set, the operator can start the machine with a push button and keep track of the number of blows on an LED readout. The counter can be operated on either 115V/60Hz or 230V/50Hz, switchable inside the cover. A cam-action lever operates the integral mold holder to facilitate insertion and removal of the stability mold.

Machines can be ordered as 4" or 6" machines, but can be altered to easily accommodate the other size by purchasing a hammer and test molds of the desired size. Each machine includes: the mechanical compactor, an automatic counter, tapered-foot hammer assembly for rotating mold models or a flat-foot hammer assembly for the stationary mold models, (1) stability mold, and (1) package of paper discs. Shipping wt. 400 lbs. (181.4kg). Complies with ASTM D6926, D5581, AASHTO T245 and PTM705

**Heavy-Duty, Automatic Single Compactor with Rotating Mold**

Description	Model
For 4" diameter specimens. 115V 60Hz	H-1364R
For 6" diameter specimens. 115V 60Hz	H-1366R
For 4" diameter specimens. 230V 60Hz	H-1364R.2F
For 6" diameter specimens. 230V 60Hz	H-1366R.2F
For 4" diameter specimens. 230V 50Hz	H-1364R.5F
For 6" diameter specimens. 230V 50Hz	H-1366R.5F

**Heavy-Duty, Automatic Single Compactor with Stationary Mold**

Identical to the machines above except these have a stationary mold (non-rotating) and use a flat bottom hammer.

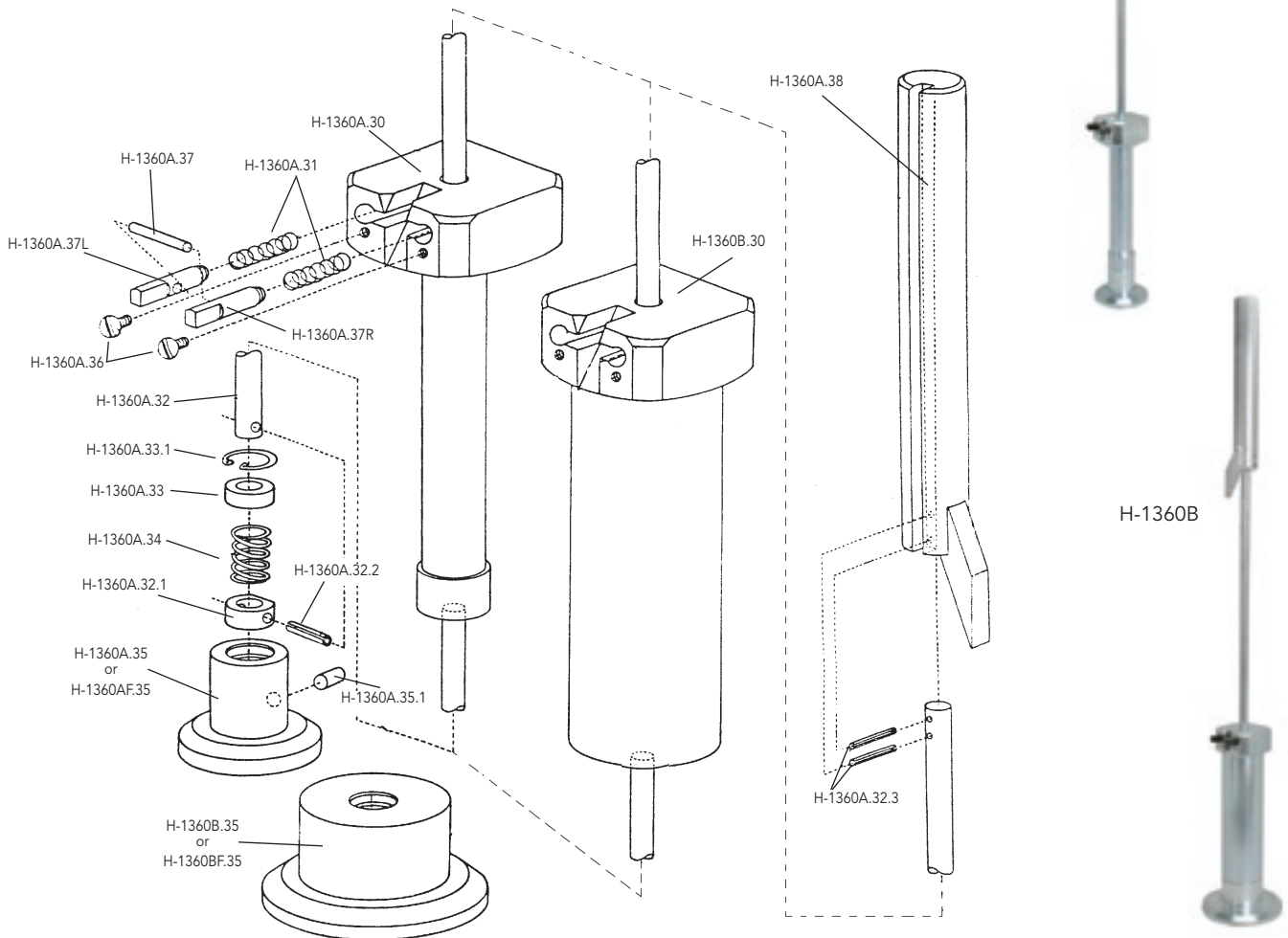
**Heavy-Duty, Automatic Single Compactor with Stationary Mold**

Description	Model
For 4" diameter specimens. 115V 60Hz	H-1364
For 6" diameter specimens. 115V 60Hz	H-1366
For 4" diameter specimens. 230V 60Hz	H-1364.2F
For 6" diameter specimens. 230V 60Hz	H-1366.2F
For 4" diameter specimens. 230V 50Hz	H-1364.5F
For 6" diameter specimens. 230V 50Hz	H-1366.5F



Replacement Parts for Heavy-Duty, Automatic Single Compactors

Description	Model
4" hammer with tapered foot (rotating mold)	H-1360A
6" hammer with tapered foot (rotating mold)	H-1360B
4" hammer with flat foot (stationary mold)	H-1360AF
6" hammer with flat foot (stationary mold)	H-1360BF
Lift Chain for H-1364, H-1366 Series	H-1360.21
Replacement pedestal for H-1364 and H-1366 Compactors	H-1347M
Replacement Counter and proximity switch for Compactors	H-1334BA
Replacement Counter and proximity switch for Compactors, 230V	H-1334BA.4F



Hammer Assemblies and Replacement Parts

Description	Model
Compaction hammer, 10 lb (for 4" mold)	H-1360A.30
Compaction hammer, 22.5 lb (for 6" mold)	H-1360B.30
Hammer slide shaft	H-1360A.32
Spring retainer, anvil	H-1360A.32.1
Spring washer, anvil	H-1360A.33
Hammer foot, 4" tapered	H-1360A.35
Hammer foot, 4" flat	H-1360AF.35
Hammer foot, 6" tapered	H-1360B.35
Hammer foot, 6" flat	H-1360BF.35
Hammer release pin, left hand	H-1360A.37L
Hammer release pin, right hand	H-1360A.37R

Description	Model
Anvil release arm weldment	H-1360A.38
Hammer release arm	H-1360A.38.1
Anvil, top	H-1360A.38.2
Spring	H-1338.34
Spring	H-1360A.31
1/4" dia. x 1" large roll pin	H-1360A.32.2
3/16" dia. x 1-1/2" roll pin	H-1360A.32.3
Internal retaining ring	H-1360A.33.1
5/16" dia x 1/2" large dowel pin	H-1360A.35.1
1/4-20 x 1/2" large truss head screw	H-1360A.36
1/4" dia. x 1-3/8" Large dowel pin	H-1360A.37